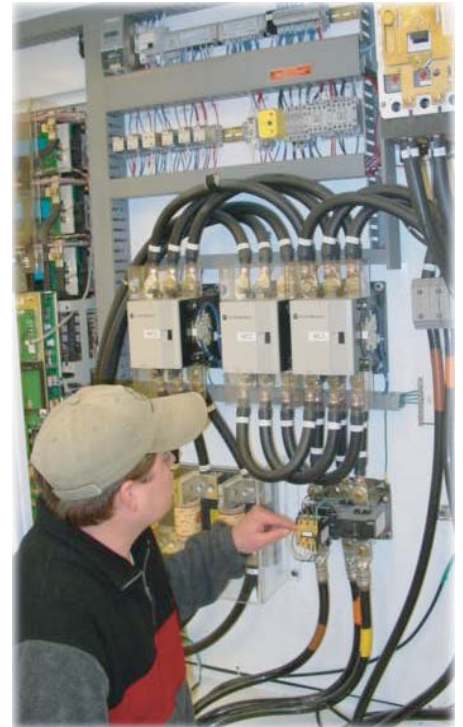


ALC Lift-Pac™



EXPERIENCE THE ADVANTAGE OF A PRE-ENGINEERED PUMP CONTROL PACKAGE



REASONS TO CHOOSE

THE ALC LIFT-PAC™

FOR YOUR NEXT COMPLEX PUMPING PROJECT



▶ **EXPERIENCE**

Integrated Controls Inc specializes in pumping systems utilizing multiple VFD controlled pumps for constant level, psi, or flow control in all sizes.

▶ **PANEL TEMPERATURE MANAGEMENT**

The VFD drive incorporates optimized space saving technology, maximum heat dissipation with minimum size in a NEMA12 OR 4 enclosure relative to the selected drive.

▶ **IN HOUSE FABRICATION & TESTING**

The VFD drive panels are engineered, built, configured, and tested in our facility prior to shipment.

▶ **PUMPING CONTROL LOGIC**

The Process Control system is an integral part of the ALC Lift-Pac and incorporates years of programming experience with multi VFD drive pumping systems.

- ▶ **SKID MOUNT PACKAGES AVAILABLE**
- ▶ **PRE-FAB SYSTEMS**
- ▶ **CONSTANT LEVEL, PSI, OR FLOW**
- ▶ **SUCTION & DISCHARGE PSI MANAGEMENT**
- ▶ **WATER SURGE ELIMINATION**
- ▶ **AUTO Cl2 INJECTION CONTROL TO 0.1PPM**
- ▶ **CONTROL PANEL TEMPERATURE MANAGEMENT**
- ▶ **BYPASS STARTER FOR REDUNDANCY**
- ▶ **REMOTE INTERFACE OPTIONS**
- ▶ **SCADA READY**
- ▶ **COMPLEX ALARMING**
- ▶ **COMPLEX FAULT & DIAGNOSTICS**
- ▶ **SIMPLE TO USE OPERATOR INTERFACE**
CUSTOM DESIGNS TO FIT YOUR SPACE AN APPLICATION
- ▶ **AUTOMATED SUCTION FEED FROM WATER TOWER THROUGH AUTOMATED PRV. OPTION**



▶ **THE ALC LIFT-PAC IS A COMPREHENSIVE SOLUTION THAT OFFERS:**

Saving time and money with a pre-engineered pumping solution.

Single source for motor control & process control equipment & integration.

Sensors & flow meters sized efficiently by our engineers for optimum performance in your application as well as integrate seamlessly with the ALC Lift-Pac system.

Single Source Start up of the pumping & control package results in a simple and painless start up.

CAD drawing that allows simple equipment installation of the equipment for local electrical contractors who have little or no control experience.

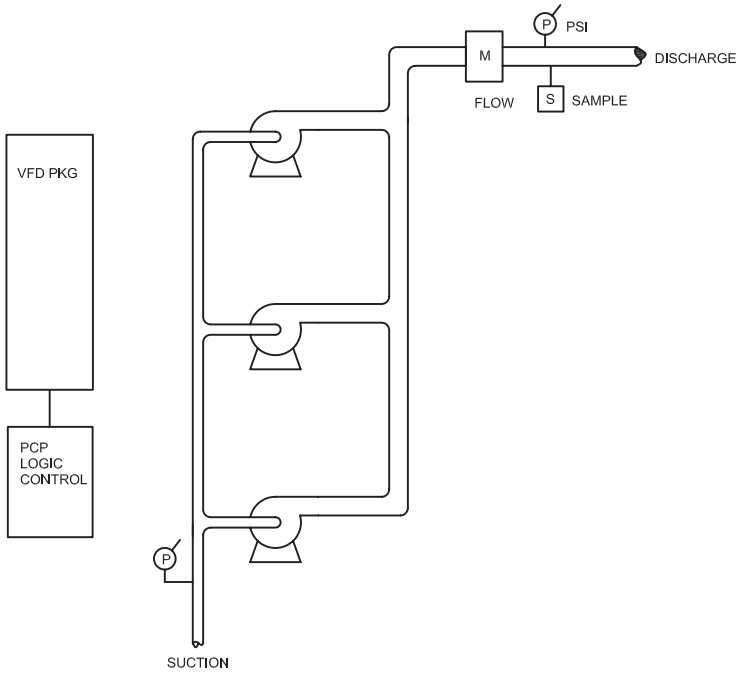
Complete calibration of all sensors by our technicians as a part of the total package.

▶ **COMPLETE PUMPING SOLUTIONS**

- WATER BOOSTER SYSTEMS
- WATER WELL CONTROLS
- WELL LEVEL CONTROL
- WATER TOWER LEVEL CONTROLS
- PSI TANK PUMPING SYSTEMS
- SEWER PUMPING STATIONS
- D.O. LEVEL CONTROL
- AERATION SYSTEMS
- MIXING CONTROL
- CHEMICAL INJECTION



PUMPING SYSTEMS FROM 1/3 HP TO 300+ HP IN MULTIPLEX PACKAGES



Standard Package

- Variable Frequency Drives
- Bypass Contact ORS
- Overload Protection
- Branch Circuit Protection
- Nema 4, 4X, 12, 3R, 1
- Suction PSI Sensor and Calibration
- Discharge PSI Sensor and Calibration
- Magnetic Flow Meter and Calibration
- Chemical Injection (Flow Paced)
- Minimum Suction PSI Control
- Surge on Start-Up Control
- Surge on Shut-Down Control
- LAG Pump Control

Options

- Pumps and Motors
- Generator
- Main Power Distribution
- SKID Mount Package
- Single Outdoor 3R VFD Control
- Package with Power Distribution
- Constant PPM CL2 Control Monitor and Injection
- SCADA Alarming and Monitoring
- Dial Out Alarming
- Custom Options

Listing:
 UL 508
 UL 698

Building a Custom ALC Lift Pac™ Part Number

ALC X X X - X X X - X X X X - X X - XX - X X X - X X X X				
Number of VFDs			PLC Type	
Number of Pumps			AB Mod C	AB Part Number Modicon Part Number Other
Size of Pumps / Hp			Link Protocol	
Volts and Phase			X DF1.5 DF1 DH485 DH+ MOD ASCI C	None DF1 Half Duplex DF1 Full Duplex Modbus RS232 ASCII Custom or Other
Internal or External Motor Control			SCADA Link Hardware	
Internal External	IN EX		0 1 2 3 L U	None Modem Land Full Duplex Radio Half Duplex Custom Licensed Unlicensed



Integrated Controls, Inc
 930 Duell Road
 Traverse City, MI 49686
 Phone (231) 941-1030
 Fax (231) 941-5380

www.iciprocess.com

For further information regarding the ALC Data-Link™ or other products from ICI, please contact us. Customer service is our number one priority.